

## PRODUCT SPECIFICATION

### 产品规格书

DESCRIPTION: Crystal LED Light Box

产品名称: LED 水晶灯箱

MODEL NO:

产品型号: CF3

*Shanghai Edgelight Industry Co.,Ltd.*

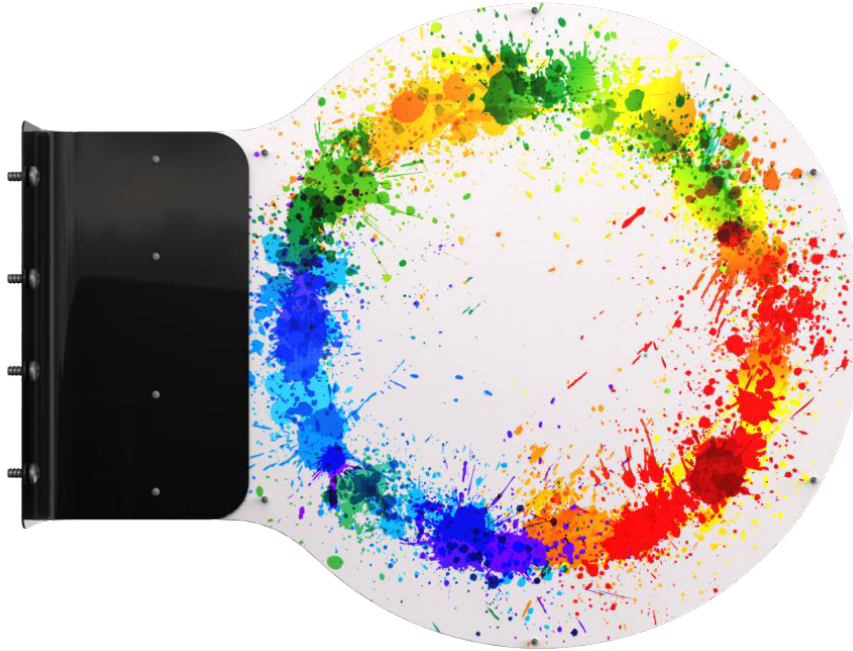
*TEL:+86-21-64412288*

*FAX:+86-21-64412266*

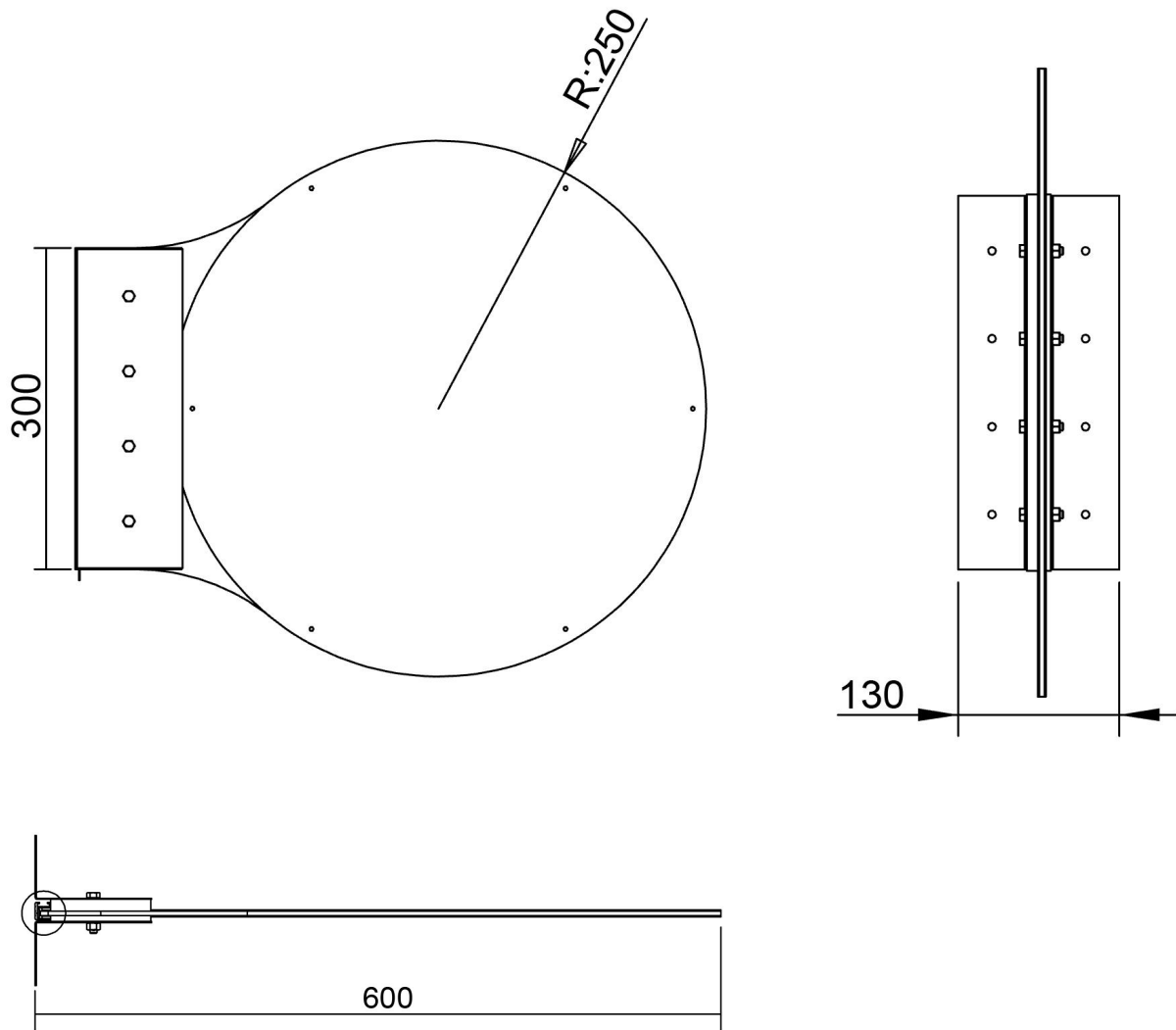
*E-mail: [info@edgelight.com](mailto:info@edgelight.com)*



**1. Picture of real products 产品图片**



2. DIMENSIONS 尺寸(毫米)



**Notes** 说明

1. Size can be customized

尺寸可定制

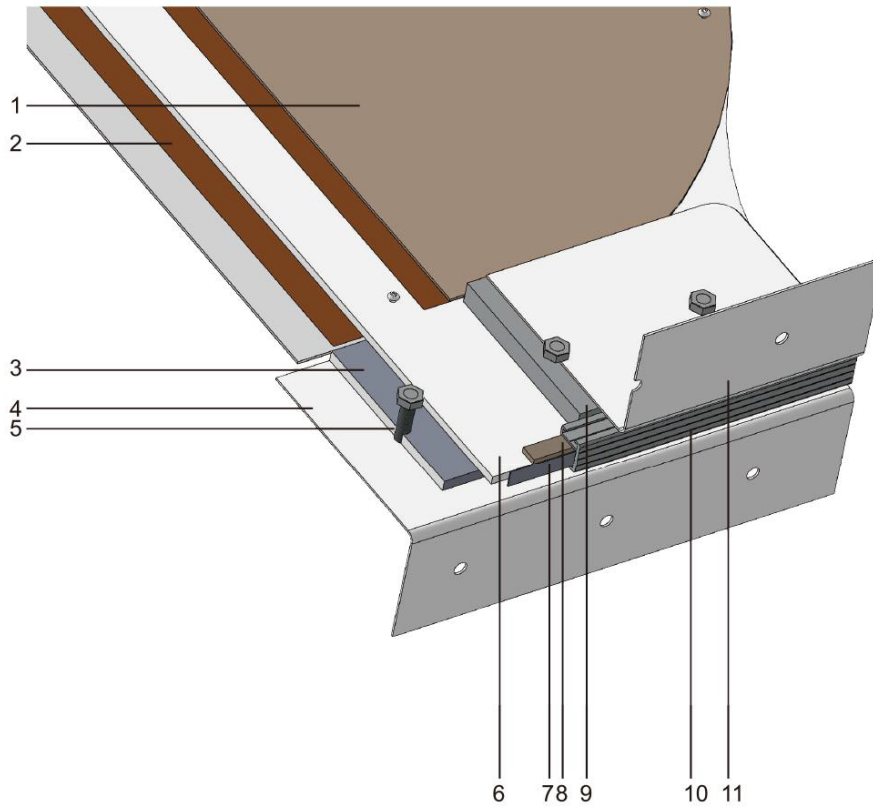
2. All dimension units are millimeters.

所有尺寸单位均为毫米

3. All dimension tolerance is  $\pm 0.5\text{mm}$  otherwise additional statement.

除非另有说明，否则所有尺寸的公差是  $\pm 0.5\text{mm}$

### 3. Product Structure 产品结构



1. Front plate 面板
2. Poster 灯片
3. Plate 垫板
4. Bending sheet metal 折弯板金
5. Bolt 螺栓
6. LGP 导光板
7. LED
8. Spacing strips 垫条
9. Plate 垫板
10. Profile 型材
11. Bending sheet metal 折弯板金

#### 4. Features 产品特性

Crystal light box, also known as acrylic light box, side light guide design, even light; transparent crystal frame: the light box is bright and beautiful when it is lit, the shape is beautiful; ultra-thin: the thickness is only 6mm-16mm; LED light source: more safe and energy saving, longer life Easy to replace pictures; easy to install: mainly table swing, hanging, wall-mounted; suitable for all kinds of high-end places: clubs, hotels, bars, restaurants, chain stores, wedding photo studios, interior decoration, company signs, gifts display , window display, exhibits display, home decoration photo frames and other places.

水晶灯箱又名亚克力灯箱，侧面导光设计，光线均匀；透明水晶框：灯箱点亮时四周光彩绚丽，外形优美；超薄：厚度仅是 6mm—16mm；LED 光源：更加安全节能，更长寿命，易更换图片；安装方便：主要有桌摆式、悬挂式、壁挂式；适用于各类高档场所：会所、酒店、酒吧、餐厅、连锁经营店、婚纱影楼、室内装饰、公司招牌、礼品展示、橱窗展示、展品展示、家装相框等各种场所。

##### ※IP65 Waterproof outdoor crystal light box

IP65 户外防水水晶灯箱

##### ※Packaging: bubble bag, cartons, plus plywood frame for seafreight

包装方式：气泡袋、纸箱，海运另加胶合板木框

##### ※Structure: the Edgelight LGP, aluminum frame

结构：采用 Edgelight 导光板，铝框外框

##### ※Visible surface: double sides

可视面：双面

##### ※Voltage: DC voltage 12/24V

电压：直流电压 12/24V

## 5. Safety Notice for Using 安全使用注意事项

※Before starting use of the light, please check if the light was damaged during transportation.If any damage shown, please Do not install or use it.

在使用之前，需确认产品在运输中有没有被损坏，若有损坏就不能安装使用

※Any maintenance should be performed by trained professionals only.

不要尝试自己维修，只能由专业工程师去维修

※Keep packaging material away from the reach of children and pets. Risk of suffocation!

包装材料要远离小孩，防止小孩玩弄导致窒息

※Caution. The packaging contains small parts that may be swallowed by children.

防止产品小的配件被小孩吞食

※Never leave children unattended in the vicinity of the lights and do not allow them to play with electrical devices.

让小孩远离产品，更不要让小孩接触带电设备

※Try to avoid looking directly in the LED beam-especially for extended periods of time. Do not shine the LED light in another person's eyes.

避免长时间直视LED的发光面，不要用反射的LED的光去照射别人的眼睛

※Never cover the lights by other objects while using it.

不要在工作中的产品上覆盖任何物品

※Never allow the light to come into contact with open flames or external heat sources.

产品要远离明火或高温物体

※The products need to re-repair inspection or special treatment of retirement after service time.

产品过了使用期限，需要重新维修检查，或报废处理