

DESCRIPTION

❖ CHARACTERS

The aluminum-framed light box is an advertising display device made of aluminum alloy profiles. It combines LED light sources and replaceable images. It features energy-saving and environmental protection, high color reproduction, strong waterproof and weather resistance, supports quick opening and standardized installation, reduces maintenance costs, and allows for UV soft film canvas replacement without tools. It is widely used in commercial places both indoors and outdoors.

❖ APPLICATION AREA

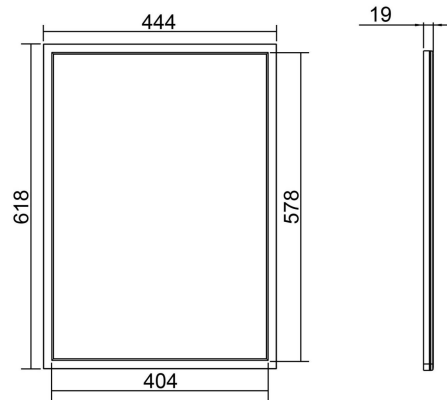
- ❖ Promotion in Commercial Venues
- ❖ Retail Stores: Advertising displays in locations such as shopping malls, banks, airports, and other similar venues.
- ❖ Transportation Hubs: Dynamic information dissemination in public places like train stations and docks.

SUMMARY

❖ Product Size	Customizable
❖ Visible Face	Single-sided
❖ Voltage	12V/24V
❖ Color	Customizable
❖ Light Box Thickness	19mm

CERTIFICATION

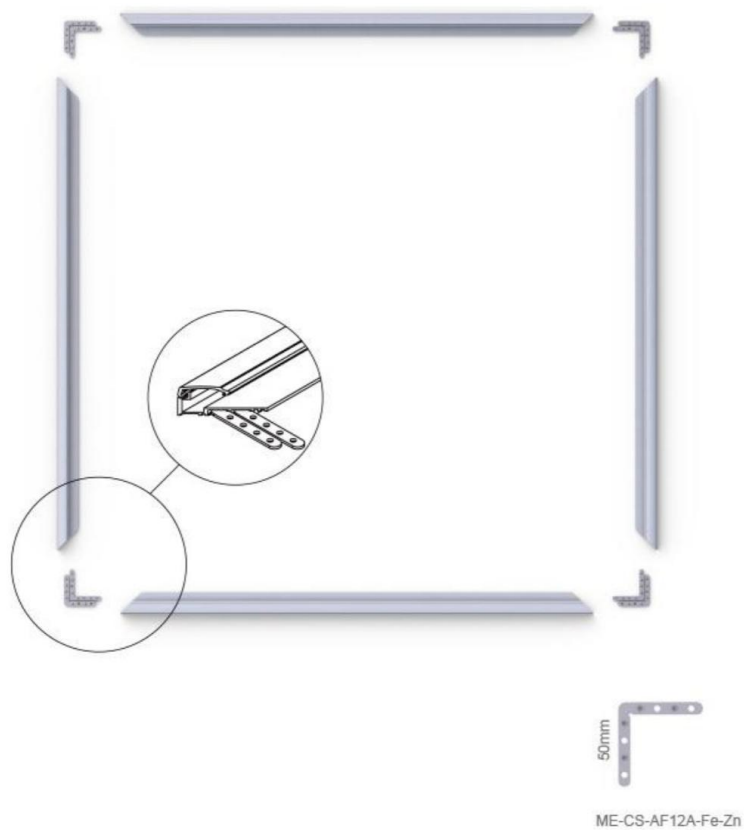
The certification types will be increased as needed. You can contact our company's salesperson to learn more.

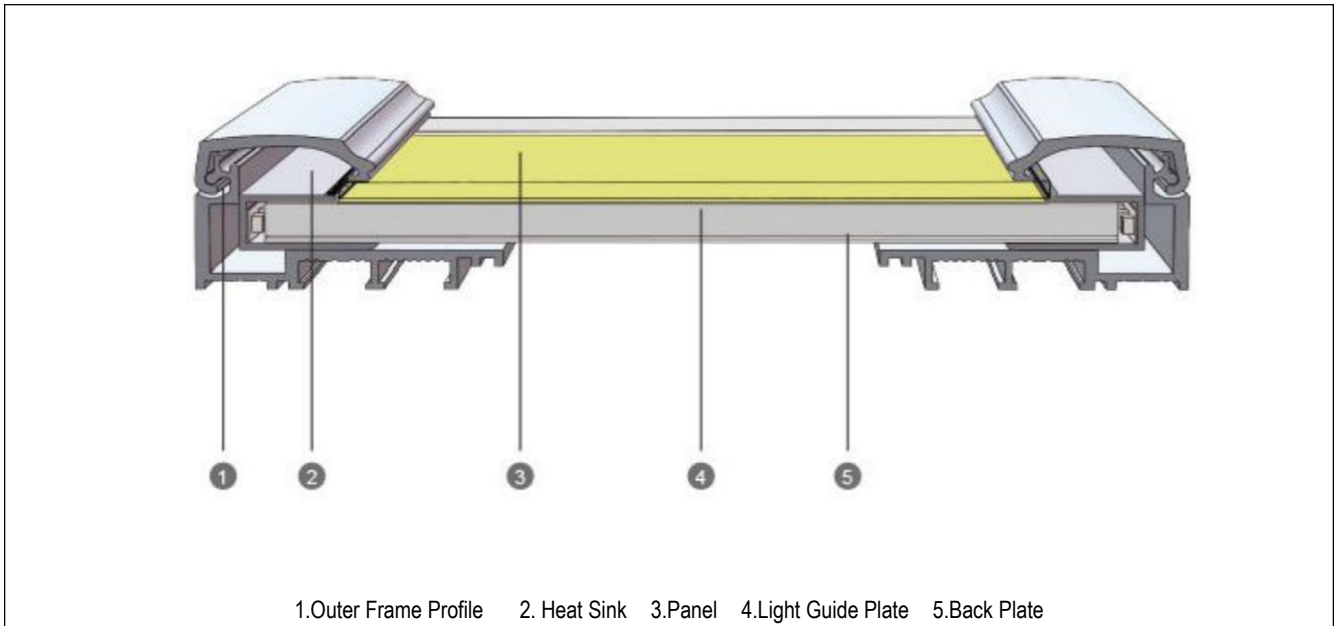


1. The size of the light box can be customized.
2. All unit dimensions are in millimeters.
3. Unless otherwise specified, the tolerance for all dimensions is $\pm 0.5\text{mm}$.

Item		Outer Frame Size/mm	Visible Size/mm	Thickness/mm	Image Size /mm	Packaging Size/mm	
AF80	LED	A0	1204*856	1164*816	19	1189*841	1340*90*1020
		A1	856*609	816*569		841*594	1000*90*770
		A2	609*435	569*395		594*420	730*90*570
		A3	435*312	395*272		420*297	580*90*460
		A4	312*225	272*185		297*210	500*50*300

Assembly Diagram of the Outer Frame





Precautions for Safe Use

- Before using the product, check to ensure that it has not been damaged during transportation. If any damage is found, do not install or use it.
- Do not attempt to repair the product yourself. Repairs should only be carried out by professional engineers.
- Keep packaging materials away from children to prevent them from playing with them and causing suffocation.
- Prevent children from swallowing small parts of the product.
- Keep children away from the product, and never let them come into contact with electrical equipment.
- Avoid staring at the LED light source for extended periods, and do not use reflected LED light to shine in other people's eyes.
- Do not place any objects on the product while it is in operation.
- Keep the product away from open flames or high-temperature objects.
- If the product has exceeded its service life, it needs to be repaired and inspected again, or disposed of as scrap.

描述

特征

铝框灯箱是以铝合金型材为框架的广告展示设备，结合LED光源和可更换画面，具有节能环保、色彩还原度高、防水耐候性强等特点，支持快速开启和标准化安装，降低维护成本，无需工具即可更换UV软膜画布，广泛应用于室内外商业场所。

应用领域

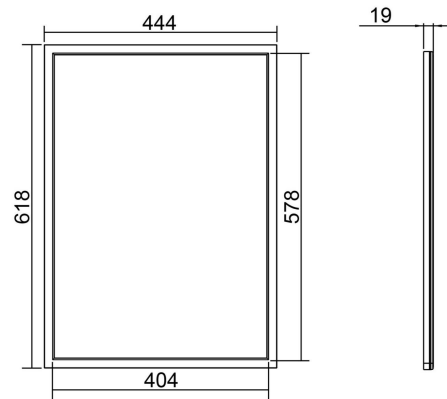
- ❖ 商业场所宣传
- ❖ 商业门店：如商场、银行、机场等场所的广告展示
- ❖ 交通枢纽：车站、码头等公共场所的动态信息传递

概要

- | | |
|--------|---------|
| ❖ 产品尺寸 | 可定制 |
| ❖ 可视面 | 单面 |
| ❖ 电压 | 12V/24V |
| ❖ 颜色 | 可定制 |
| ❖ 灯箱厚度 | 19mm |

认证

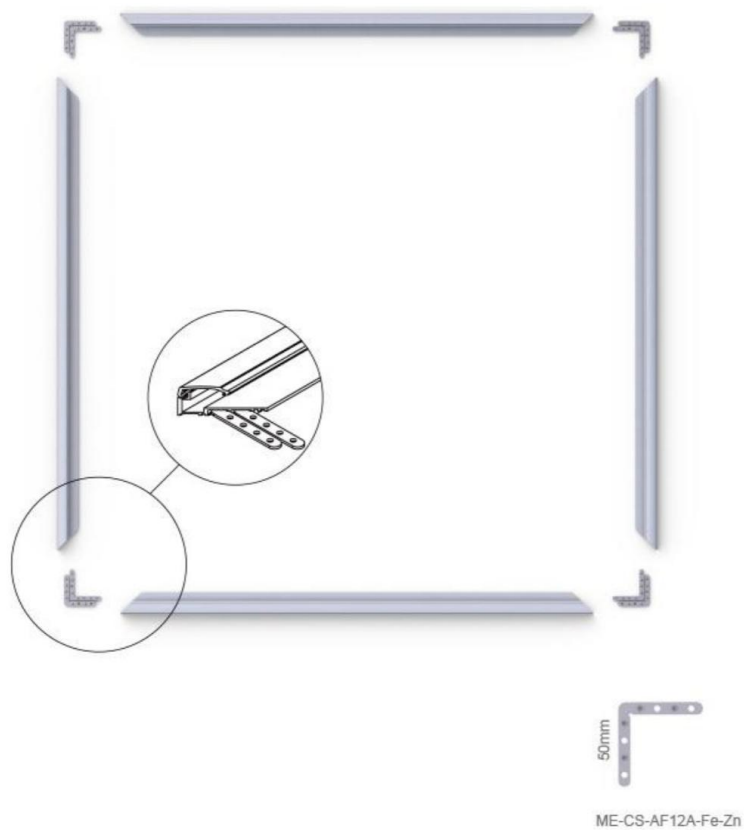
认证种类将会增加，请联系本公司业务。

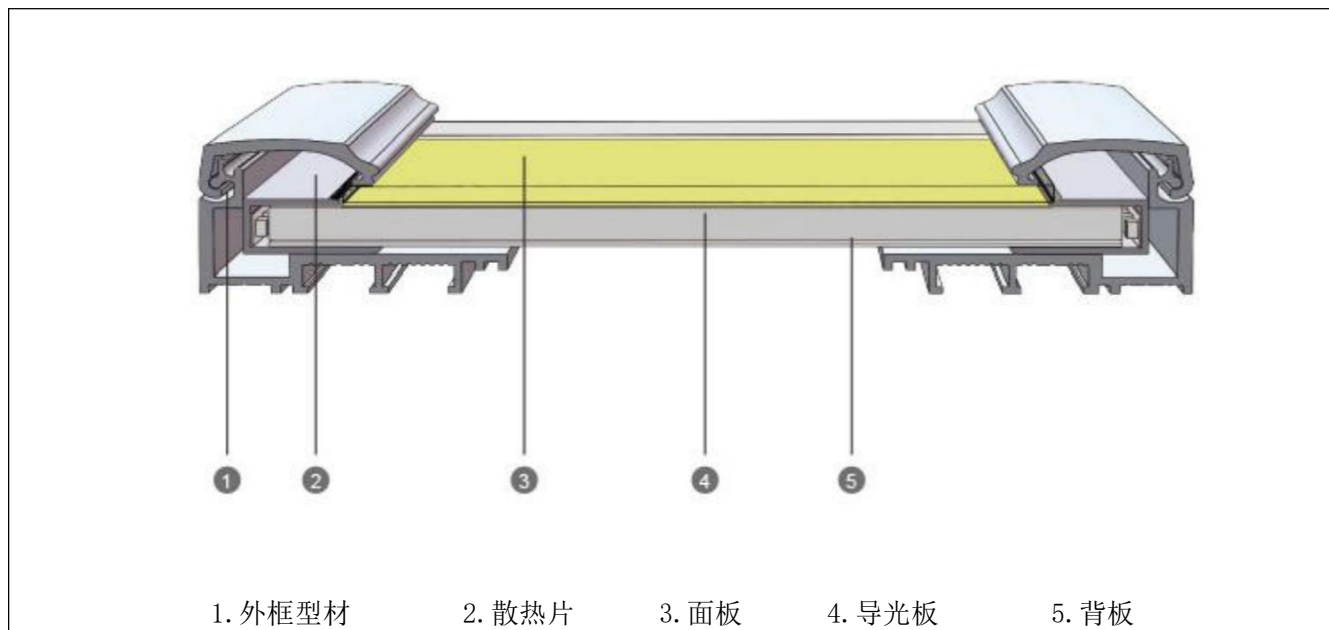


- 1.灯箱尺寸可以定制
- 2.所以单位尺寸均为毫米
- 3.除非另有说明，否则所有尺寸的公差是±0.5mm

项目		外框尺 /mm	可视尺寸 /mm	厚度 /mm	画面尺寸 /mm	包装尺寸 /mm	
AF80	LED	A0	1204*856	1164*816	19	1189*841	1340*90*1020
		A1	856*609	816*569		841*594	1000*90*770
		A2	609*435	569*395		594*420	730*90*570
		A3	435*312	395*272		420*297	580*90*460
		A4	312*225	272*185		297*210	500*50*300

外框组装示意图





安全使用注意事项

1. 在使用之前，需确认产品在运输中有没有被损坏，若有损坏就不能安装使用
2. 不要尝试自己维修，只能由专业工程师去维修
3. 包装材料要远离小孩，防止小孩玩弄导致窒息
4. 防止产品小的配件被小孩吞食
5. 让小孩远离产品，更不要让小孩接触带电设备
6. 避免长时间直视LED的发光面，不要用反射的LED的光去照射别人的眼睛
7. 不要在工作中的产品上覆盖任何物品
8. 产品要远离明火或高温物体
9. 产品过了使用期限，需要重新维修检查，或报废处理